



CONNIT YELLOW TIC

DATA MEASURED

Electric consumption and production

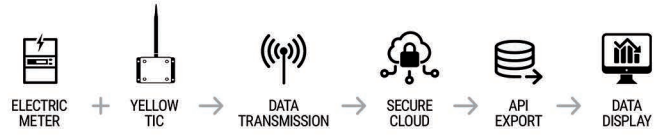
NETWORKS USED

Sigfox and/or LoRa

INTEGRATED FEATURES

- Voltage supply
- Internal temperature
- Other customisable alerts

A simple and autonomous solution for electrical telemetry, Yellow TIC transforms a conventional electricity meter with a Customer Information System output into a communicating meter. It allows power consumption to be monitored and an alert to be issued in the case of anomaly.

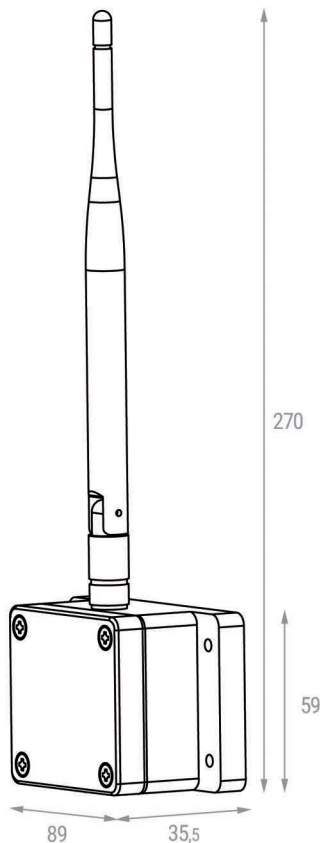


APPLICATION AREAS

- Buildings
- Industrial sites
- Condominiums
- Agriculture
- Photovoltaic stations



YELLOW TIC



FEED	TYPE	INTERNAL 3.6 V LITHIUM BATTERY
	ESTIMATED LIFE	UP TO 12 YEARS*
ENVIRONMENT	INPUT(S) / SENSOR(S)	1 RJ45 INPUT** OR 2 THREADS*** (ACCORDING TO METER)
	HOUSING	PLASTIC ABS, WATERPROOFING: IP 67
	DIMENSIONS	89 x 59 x 35.5 mm (WITHOUT ANTENNA)
	NET WEIGHT	175 g (WITHOUT ANTENNA)
	ANTENNA	EXTERNAL, 170 mm, OMNIDIRECTIONAL
	OPERATING TEMP (°C)	-20°/+55°
	CERTIFICATIONS	SIGFOX CLASS 0 /LORA (ORANGE, OBJENIOUS)
NETWORK / RADIO	NETWORK TYPE	SIGFOX AND/OR LORA
	FREQUENCY	868 MHz
	COMMUNICATION	UPLINK OR BIDIRECTIONAL
	AREA COVERED	EUROPE ETSI
FEATURES	TRANSMISSION	UP TO 140 TRANSMISSIONS PER DAY
	PLUG AND PLAY	RJ45 : YES / 2 THREADS: ACCORDING TO AUTHORISATION
	RECONFIGURATION	OTA (OVER THE AIR) VIA RETURN CHANNEL OR VIA MICRO USB
	DATA ACCESS	LIVE M2M / API REST / OPERATOR PLATFORM

* Estimated time in normal operation (2 messages / day and an ambient temperature of about 25°C)

** Yellow tariff

*** Blue tariff

LIVE M2M SERVICES

Access safely to the key data of your IoT project:

- Optimal supervision of equipment
 - API access to data
- Configurable email and SMS alerts
 - Automatic diagnostics
- Mobile application for deployment

Live M2M also allows us to develop customised dashboards perfectly suited to the specificities of your trade.

