



CONNIT

# YELLOW PULSE

## DATA MEASURED

Electric consumption

## NETWORKS USED

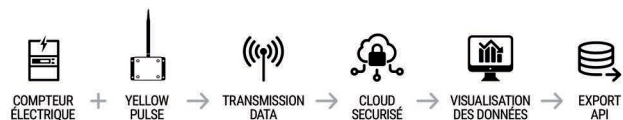
Sigfox

868 MHz local network

## INTEGRATED FEATURES

- Voltage supply
- Internal temperature
- Other customisable alerts

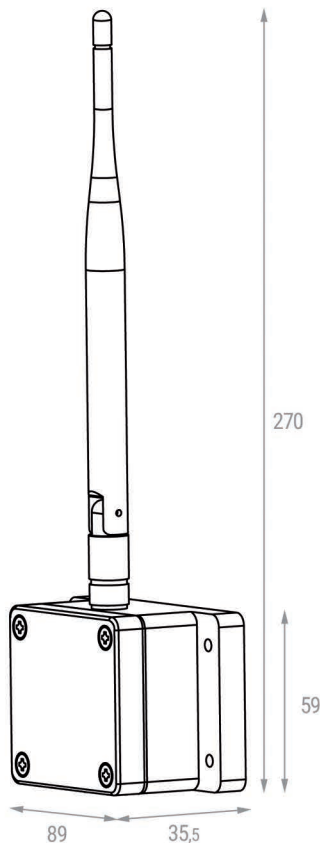
A simple, autonomous solution for remote electricity meter reading, Yellow Pulse transforms a conventional electric meter with an SO output or dry contact into a communicating meter. It allows power consumption to be monitored and an alert to be issued in the case of anomaly.



## APPLICATION AREAS

- Buildings
- Industrial sites
- Condominiums
- Agriculture
- Photovoltaic stations

# YELLOW PULSE



<b>FEED</b>	TYPE	INTERNAL 3.6 V LITHIUM BATTERY
	ESTIMATED LIFE	UP TO 12 YEARS*
<b>ENVIRONMENT</b>	INPUT(S) / SENSOR(S)	1 DRY CONTACT PULSE INPUT
	HOUSING	PLASTIC ABS + PC, WATERPROOFING: IP 67
	DIMENSIONS	89 x 59 x 35.5 mm (WITHOUT ANTENNA)
	NET WEIGHT	175 g (WITHOUT ANTENNA)
	ANTENNA	EXTERNAL, 170 mm, OMNIDIRECTIONAL
	OPERATING TEMP (°C)	-30°/+75°
	CERTIFICATION	SIGFOX CLASS 0
<b>NETWORK / RADIO</b>	NETWORK TYPE	SIGFOX AND LOCAL NETWORK
	FREQUENCY	868 MHz
	COMMUNICATION	UPLINK
	AREA COVERED	EUROPE ETSI
<b>FEATURES</b>	TRANSMISSION	UP TO 140 TRANSMISSIONS PER DAY
	PLUG AND PLAY	YES
	RECONFIGURATION	OTA (OVER THE AIR) VIA LOCAL NETWORK
	DATA ACCESS	LIVE M2M / API REST / OPERATOR PLATFORM

\* Estimated time in normal operation (2 messages / day and an ambient temperature of about 25°C)

## LIVE M2M SERVICES

Access safely to the key data of your IoT project:

- Optimal supervision of equipment
  - API access to data
- Configurable email and SMS alerts
  - Automatic diagnostics
- Mobile application for deployment

Live M2M also allows us to develop customised dashboards perfectly suited to the specificities of your trade.

