



CONNIT

GREEN TEMP

DATA MEASURED

Temperature

NETWORKS USED

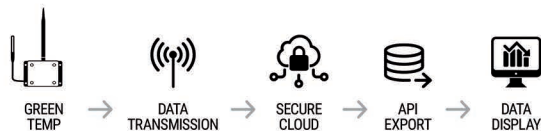
Sigfox

868 MHz local network

INTEGRATED FEATURES

- Voltage supply
- Internal temperature
- Other customisable alerts (temperature limits)

Green Temp is a reliable remote temperature monitoring system. The wire probe accurately measures the temperature of different spaces, surfaces or fluids. Its waterproof and robust housing make this product suited to difficult conditions (exterior, industrial environment, boilers...)

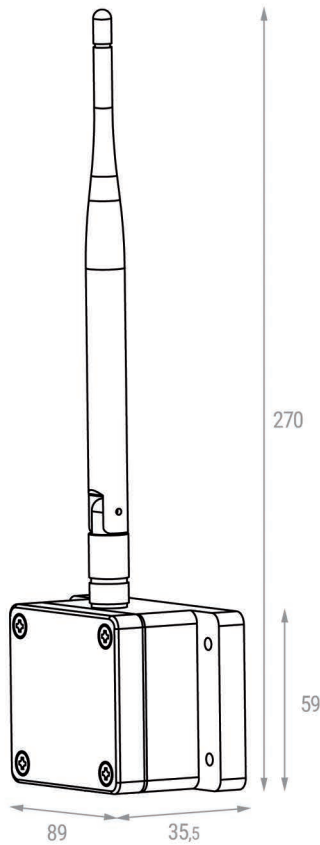


APPLICATION AREAS

- Buildings
- Industrial sites
- Condominiums
- Agriculture



GREEN TEMP



FEED	TYPE	INTERNAL 3.6 V LITHIUM BATTERY
	ESTIMATED LIFE	UP TO 12 YEARS*
ENVIRONMENT	INPUT(S) / SENSOR(S)	1 PROBE
	HOUSING	PLASTIC ABS, WATERPROOFING: IP 67
	DIMENSIONS	89 x 59 x 35.5 mm (WITHOUT ANTENNA)
	NET WEIGHT	175 g (WITHOUT ANTENNA)
	ANTENNA	EXTERNAL, 170 mm, OMNIDIRECTIONAL
	OPERATING TEMP (°C)	-30°/+75°
	CERTIFICATION	SIGFOX CLASS 0
NETWORK / RADIO	NETWORK TYPE	SIGFOX AND LOCAL NETWORK
	FREQUENCY	868 MHz
	COMMUNICATION	MONODIRECTIONNAL
	AREA COVERED	EUROPE ETSI
FEATURES	TRANSMISSION	UP TO 140 TRANSMISSIONS PER DAY
	PLUG AND PLAY	YES
	RECONFIGURATION	OTA (OVER THE AIR) VIA LOCAL NETWORK
	DATA ACCESS	LIVE M2M / API REST / OPERATOR PLATFORM

* Estimated time in normal operation (2 messages / day and an ambient temperature of about 25°C)

LIVE M2M SERVICES

Access safely to the key data of your IoT project:

- Optimal supervision of equipment
- API access to data
- Configurable email and SMS alerts
- Automatic diagnostics
- Mobile application for deployment

Live M2M also allows us to develop customised dashboards perfectly suited to the specificities of your trade.

